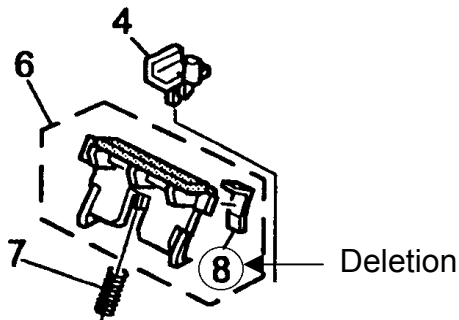


Model: Model K-P1 Paper Feed Unit		Date: 23-May-01	No.: MG555001
Modified Article: Parts Catalog		Prepared by: M. Kitajima	
From: Technical Services Dept., GTS Division			
Reason for Modification:	<input checked="" type="checkbox"/> Parts catalog correction	<input type="checkbox"/> Vendor change	<input type="checkbox"/> To meet standards ()
	<input type="checkbox"/> To facilitate assembly	<input type="checkbox"/> To improve reliability	
	<input type="checkbox"/> Part standardization	<input type="checkbox"/> Other	

Please delete the following part from your Parts Catalogs:

1. Paper cassette (G555)



Part number	Description	Q'ty	Page	Index	Note
G5553080	Friction Pad	21	3	8	

Model: Model K-P1 Paper Feed Unit		Date: 20-Jun-01	No.: MG555002
Modified Article: Friction Pad		Prepared by: M. Kitajima	
From: Technical Services Dept., GTS Division			
Reason for Modification:	<input type="checkbox"/> Parts catalog correction	<input type="checkbox"/> Vendor change	<input type="checkbox"/> To meet standards ()
	<input type="checkbox"/> To facilitate assembly	<input checked="" type="checkbox"/> To improve reliability	
	<input type="checkbox"/> Part standardization	<input type="checkbox"/> Other	

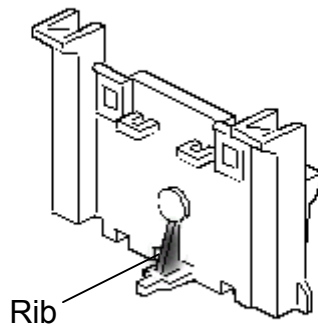
To minimize mechanical noise generated during paper feed, the weight of the friction pad assembly has been increased, improving its anti-vibration function.

Old part number	New part number	Description	Q'ty	Int	Page	Index	Note
G5553080	G5553160	Friction Pad	1	O/O	3	6	

Model: Model K-P1 Paper Feed unit		Date: 24-Aug-01	No.: MG555003
Modified Article: Rear End Fence		Prepared by: M. Kitajima	
From: Technical Services Dept., GTS Division			
Reason for Modification:	<input type="checkbox"/> Parts catalog correction <input type="checkbox"/> To facilitate assembly <input type="checkbox"/> Part standardization	<input type="checkbox"/> Vendor change <input checked="" type="checkbox"/> To improve reliability <input type="checkbox"/> Other	<input type="checkbox"/> To meet standards ()

To increase the strength of the rear end fence, a rib has been added on this part as shown.

Old part number	New part number	Description	Q'ty	Int	Page	Index	Note
G5553076	G5553074	Rear End Fence	1	X/O	3	11	



RCL (Japan) Production

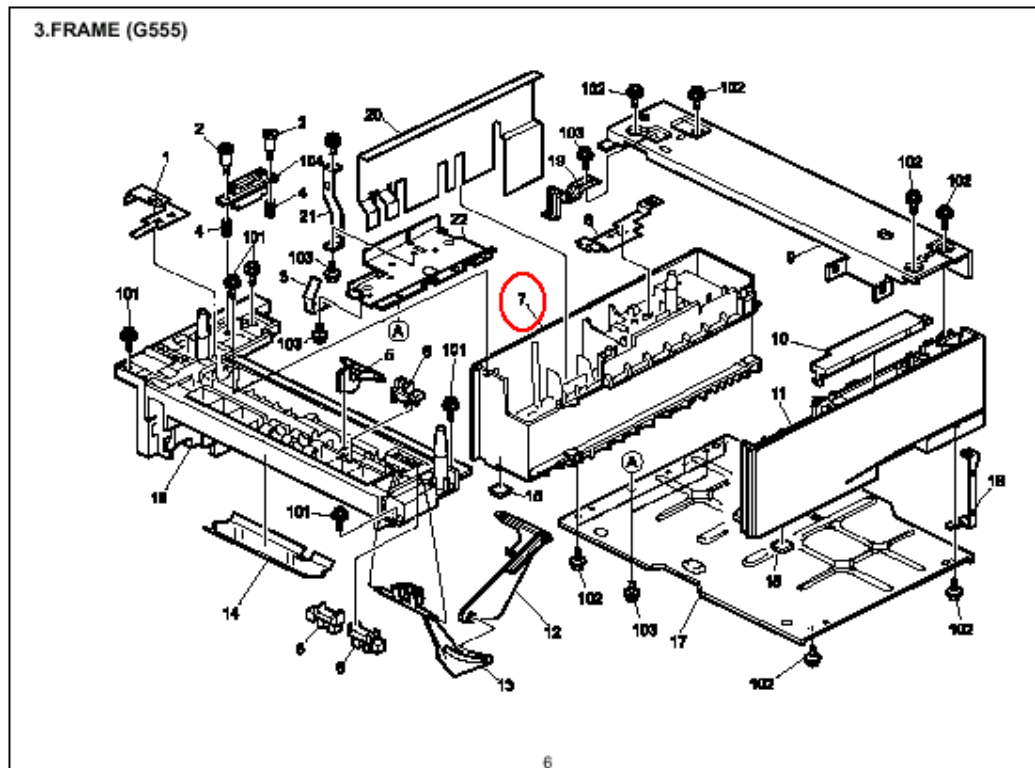
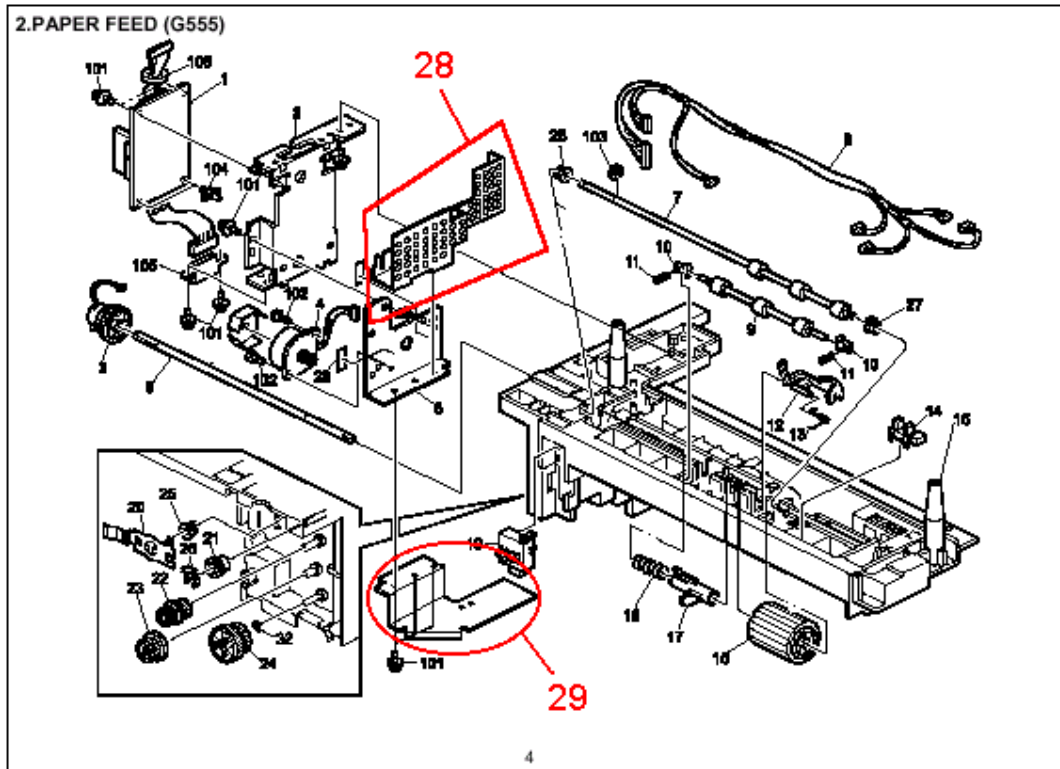
MODEL NAME	V/Hz	DESTINATION	CODE	SERIAL NUMBER
Paper Feed Unit Type 2600	115/60	USA, Canada	G555-17	P4410700025
Paper Feed Unit Type 2600	220,230,240/50	Europe, Asia, etc.	G555-27	P4410700350
Paper Feed Unit	220/50	China	G555-69	P4410700511

Model: Model K-P1/P2 Paper Feed Unit Type 2600		Date: 30-Jul-03	No.: MG555004
Modified Article: Heat Sink		Prepared by: A. Ishiyama	
From: 1st Technical Support Sec. Service Support Dept.			
Reason for Modification:	<input type="checkbox"/> Parts catalog correction <input type="checkbox"/> To facilitate assembly <input checked="" type="checkbox"/> Part standardization	<input type="checkbox"/> Vendor change <input type="checkbox"/> To improve reliability <input type="checkbox"/> Other	<input type="checkbox"/> To meet standards ()
Modification Schedule:	After the old parts have become out of stock.		

The following have been changed due to parts standardization with those used on the Paper Feed Unit Type 600 for the K-P3.

Old part number	New part number	Description	Q'ty	Int	Page	Index	Note
G5551051	G5551052	Left Frame	1→1	X/X	7	7	1
	G5551216	Heat Sink – Base	1→1	X/X	5	29	1
G5551212	G5551218	Heat Sink - Motor	1→1	O/O	5	28	

Note1: The above parts should be replaced together as a set.



Model: Model K-P1/P2 Paper Feed Unit Type 2600		Date: 30-Jul-03	No.: MG555005
Modified Article: PCB Bank Ass'y		Prepared by: A. Ishiyama	
From: 1st Technical Support Sec. Service Support Dept.			
Reason for Modification:	<input type="checkbox"/> Parts catalog correction <input type="checkbox"/> To facilitate assembly <input type="checkbox"/> Part standardization	<input type="checkbox"/> Vendor change <input type="checkbox"/> To improve reliability <input type="checkbox"/> Other	<input checked="" type="checkbox"/> To meet standards (UL, TUV)
Modification Schedule:	From June 2003 production		

The fuse rating has been printed on the PCB ("50Vdc 1.5A") to meet safety standards, and in accordance with this change, the board's layout has been modified to ensure the bracket does not contact the board circuit.

Old part number	New part number	Description	Q'ty	Int	Page	Index	Note
G5553221	G5553223	Interface PCB Bracket	1→1	X/X	5	2	1
G5555100	G5555120	PCB Bank Ass'y	1→1	X/X	5	1	1,2

Note:

1. The above parts should be replaced together as a set.
2. The G5555100 PCB Bank Assembly is still used on the China model (G555-69).